

SOLENOID VALVE

Snowate

Hengshui Snowate Environmental
Technology Co., Ltd.

2022

EDITION FOR
SNOWATE CATALOG



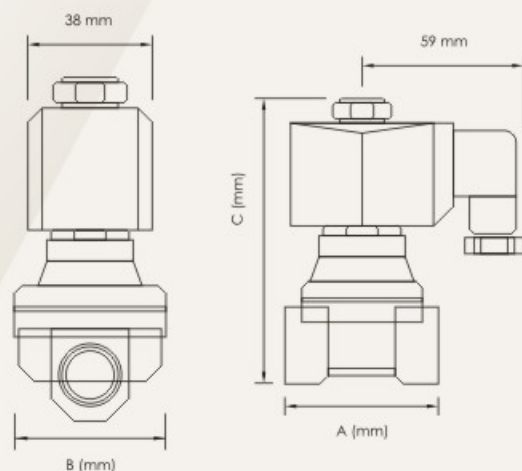


电磁阀系列 Solenoid Valve series

- 密封件可采用NBR /EPDM /VITON 材料以适用于不同流体的开关控制。
- 选型时请在不锈钢电磁阀型号前加注“S”,如“SPU-50”。
- NBR / EPDM /VITON can be used for Sealing material to fit different liquid On/Off control.
- Please add“S” for stainless valve body front when ordering,like“SPU-50”.

PU 直动式电磁阀 DIRECT-ACTING SOLENOID VALVE

型号 MODEL	接口 PORT	压力 PRESSURE	阀体材料 BODY MATERIAL	A×B×C
PU-03	1/4"	0-10/kgf/cm ²	铜/不锈钢/Copper Stainless	40 × 26 × 65
PU-10	3/8"	0-10/kgf/cm ²	铜/不锈钢/Copper Stainless	65 × 47 × 93
PU-15	1/2"	0-10/kgf/cm ²	铜/不锈钢/Copper Stainless	65 × 47 × 93
PU-20	3/4"	0-10/kgf/cm ²	铜/不锈钢/Copper Stainless	72 × 45 × 100
PU-25	1"	0-10/kgf/cm ²	铜/不锈钢/Copper Stainless	90 × 70 × 108
PU-35	1 1/4"	0-10/kgf/cm ²	铜/不锈钢/Copper Stainless	120 × 90 × 131
PU-40	1 1/2"	0-10/kgf/cm ²	铜/不锈钢/Copper Stainless	120 × 90 × 131
PU-50	2"	0-10/kgf/cm ²	铜/不锈钢/Copper Stainless	150 × 112 × 146

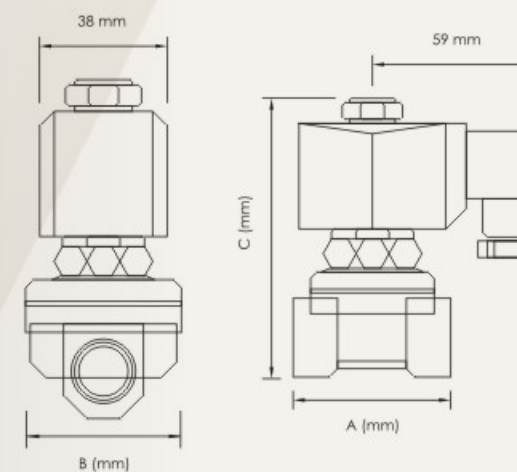


- 密封件可采用NIBR /EPDM /VITON 材料以适用于不同流体的开关控制。
- 选型时请在不锈钢电磁阀型号前加注"S",如"SPU-50".
- NBR / EPDM /VITON can be Scd for Sealing material to fit different liquid On/Off control.
- Please add"S" for stainless valve body front when ordering,like"SPU-50".



PU-K 直动式常开电磁阀 DIRECT-ACTING NORMALLY OPENED SOLENOID VALVE

型号 MODEL	接口 PORT	压力 PRESSURE	阀体材料 BODY MATERIAL	A×B×C
PU-03K	1/4"	0-5/kgf/cm ²	铜/不锈钢/Copper Stainless	42 × 26 × 85
PU-10K	3/8"	0-5/kgf/cm ²	铜/不锈钢/Copper Stainless	65 × 47 × 116
PU-15K	1/2"	0-5/kgf/cm ²	铜/不锈钢/Copper Stainless	65 × 47 × 116
PU-20K	3/4"	0-5/kgf/cm ²	铜/不锈钢/Copper Stainless	72 × 54 × 123
PU-25K	1"	0-5/kgf/cm ²	铜/不锈钢/Copper Stainless	90 × 70 × 131
PU-35K	1 1/4"	0-5/kgf/cm ²	铜/不锈钢/Copper Stainless	120 × 90 × 175
PU-40K	1 1/2"	0-5/kgf/cm ²	铜/不锈钢/Copper Stainless	120 × 90 × 175
PU-50K	2"	0-5/kgf/cm ²	铜/不锈钢/Copper Stainless	150 × 112 × 190

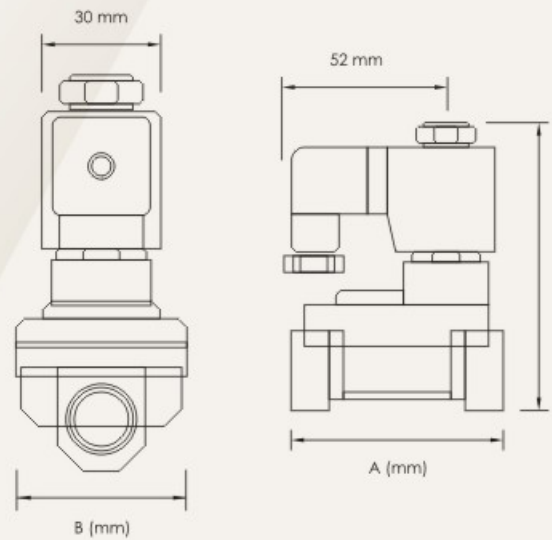


- 密封件可采用NIBR /EPDM /VITON 材料以适用于不同流体的开关控制。
- 选型时请在不锈钢电磁阀型号前加注"S",如"SPU-50K".
- NBR / EPDM /VITON can be Scd for Sealing material to fit different liquid On/Off control.
- Please add"S" for stainless valve body front when ordering,like"SPU-50K".



PX 先导式电磁阀 PILOT SOLENOID VALVE

型号 MODEL	接口 PORT	压力 PRESSURE	阀体材料 BODY MATERIAL	A×B×C
PX-03	1/4"	0-16/kgf/cm ²	铜/不锈钢/Copper Stainless	40×26×80
PX-10	3/8"	0.5-16/kgf/cm ²	铜/不锈钢/Copper Stainless	68×49×107
PX-15	1/2"	0.5-16/kgf/cm ²	铜/不锈钢/Copper Stainless	68×49×107
PX-20	3/4"	0.5-16/kgf/cm ²	铜/不锈钢/Copper Stainless	76×57×114
PX-25	1"	0.5-16/kgf/cm ²	铜/不锈钢/Copper Stainless	96×70×122
PX-32	1 1/4"	0.5-16/kgf/cm ²	铜/不锈钢/Copper Stainless	120×90×141
PX-40	1 1/2"	0.5-16/kgf/cm ²	铜/不锈钢/Copper Stainless	120×90×141
PX-50	2"	0.5-16/kgf/cm ²	铜/不锈钢/Copper Stainless	150×112×158

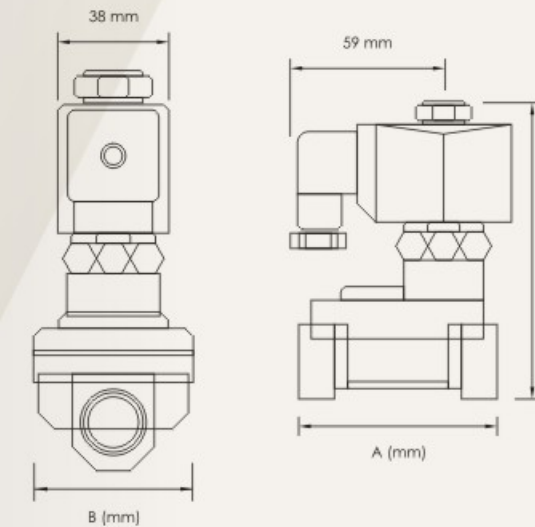


- 密封件可采用NIBR /EPDM /VITON 材料以适用于不同流体的开关控制。
- 选型时请在不锈钢电磁阀型号前加注"S",如"SPX-50".
- NBR / EPDM /VITON can be Scd for Sealing material to fit different liquid On/Off control.
- Please add"S" for stainless valve body front when ordering,like"SPX-50".



PX-K 先导式常开电磁阀 PILOT NORMALLY OPENED SOLENOID VALVE

型号 MODEL	接口 PORT	压力 PRESSURE	阀体材料 BODY MATERIAL	A×B×C
PX-03K	1/4"	0-10/kgf/cm ²	铜/不锈钢/Copper Stainless	42×26×85
PX-10K	3/8"	0.5-8/kgf/cm ²	铜/不锈钢/Copper Stainless	68×49×118
PX-15K	1/2"	0.5-8/kgf/cm ²	铜/不锈钢/Copper Stainless	68×49×118
PX-20K	3/4"	0.5-8/kgf/cm ²	铜/不锈钢/Copper Stainless	76×57×125
PX-25K	1"	0.5-8/kgf/cm ²	铜/不锈钢/Copper Stainless	96×70×133
PX-35K	1 1/4"	0.5-8/kgf/cm ²	铜/不锈钢/Copper Stainless	120×70×133
PX-40K	1 1/2"	0.5-8/kgf/cm ²	铜/不锈钢/Copper Stainless	120×70×133
PX-50K	2"	0.5-8/kgf/cm ²	铜/不锈钢/Copper Stainless	150×112×169



- 密封件可采用NIBR /EPDM /VITON 材料以适用于不同流体的开关控制。
- 选型时请在不锈钢电磁阀型号前加注"S",如"SPX-50K".
- NBR / EPDM /VITON can be Scd for Sealing material to fit different liquid On/Off control.
- Please add"S" for stainless valve body front when ordering,like"SPX-50K".



Snowate



Ms Snow Zhao
snow@snowate.com
snow@membranehousing.org
Mobile: +86-15030811699
(WhatsApp, WeChat, Skype, Viber)